

NEW

CRE Series 10mm DIP Coded Rotary Switches

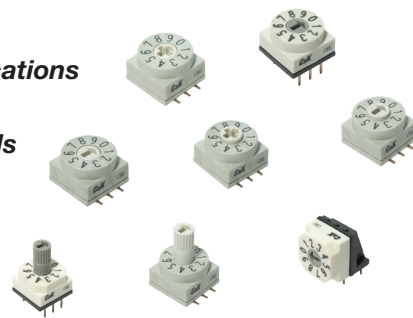
H
DIP

Features/Benefits

- **Process sealed – withstands soldering and cleaning**
- **Thru-hole and surface mount models**
- **New designs with different actuators**
- **RoHS compatible and compliant**
- **New generation price competitive**
- **IP65**

Typical Applications

- **Address switching applications**
- **Data storage devices**
- **Computer and peripherals**
- **Instrumentation**



Specifications

CONTACT RATING: 42 V DC 150mA (switching), 200mA (non-switching)
 MECHANICAL & ELECTRICAL LIFE: 10,000 cycles
 INITIAL CONTACT RESISTANCE: 200 mΩ max.
 INSULATION RESISTANCE: 100 MΩ min.
 OPERATING TEMPERATURE: -20°C to 85°C.
 STORAGE TEMPERATURE: -40°C to 85°C.
 OPERATING FORCE: 700 gf max.
 SOLDER CONDITIONS:
 - Straight and right-angle types: Iron soldering 2s/340°C, wave soldering 5s/280°C
 - Through-hole and SMT types: Iron soldering 2s/340°C, wave soldering: 5s/280°C, reflow soldering 10s/260°C

SOLDERABILITY: Dip and look solderability testing per C&K spec #448

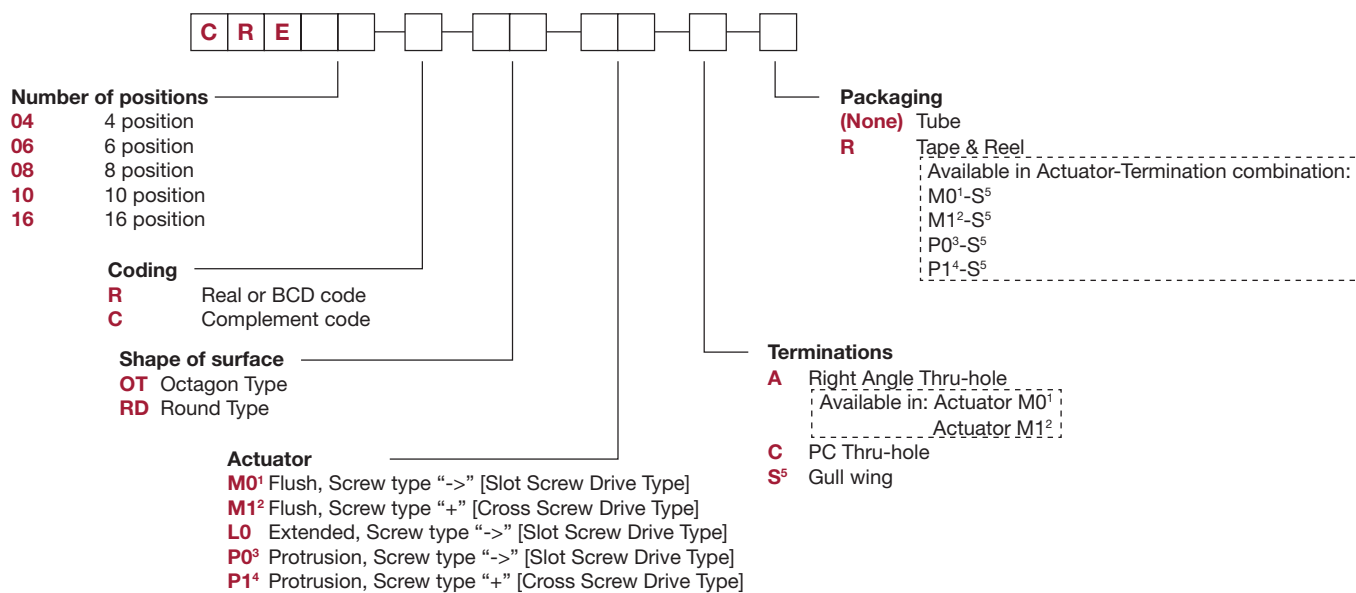
PACKAGING: Switches are supplied in rigid dispensing tubes in full-tube quantities only, this may affect order quantities. Number of switches per tube varies with model. Tape and reel packing also available with exception for the right-angle “A” type terminations.

Materials

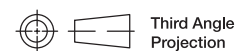
COVER:
 - Straight and right-angle types: Nylon#66 (G45%)
 - Through-hole and SMT types: LCP (G30%)
 BASE:
 - Straight and right-angle types: Nylon#66 (G45%)
 - Through-hole and SMT types: LCP (G30%)
 ACTUATOR:
 - Straight and right-angle types: Poly Acetal
 - Through-hole and SMT types: Nylon#66 (G45%)
 CONTACTS: Brass with Gold nickel plating
 TERMINALS: Brass with Gold nickel plating

How To Order

The Build-A Switch concept allows you to mix and match options to create the switch you need. Below is a complete listing of options shown in catalog. To order, simply select desired option from each category and place in the appropriate box.



Remarks in Annotation



Dimensions are shown: Inch (mm)
 Specifications and dimensions subject to change



12 Nov 20

CRE Series 10mm DIP Coded Rotary Switches

NEW

CODING

DIP I

R Real Code

04 POSITION

		Real Code				
04 POSITION		C	1	2	4	8
0	●	●				
1	●		●			
2	●			●		
3	●				●	

06 POSITION

		Real Code				
06 POSITION		C	1	2	4	8
0	●	●				
1	●		●			
2	●			●		
3	●				●	
4	●					●
5	●		●			
6	●			●		
7	●				●	

08 POSITION

		Real Code				
08 POSITION		C	1	2	4	8
0	●	●				
1	●		●			
2	●			●		
3	●				●	
4	●					●
5	●		●			
6	●			●		
7	●				●	

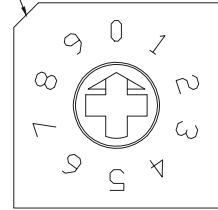
10 POSITION

		Real Code				
10 POSITION		C	1	2	4	8
0	●	●				
1	●		●			
2	●			●		
3	●				●	
4	●					●
5	●		●			
6	●			●		
7	●				●	
8	●		●			
9	●			●		

16 POSITION

		Real Code				
16 POSITION		C	1	2	4	8
0	●	●				
1	●		●			
2	●			●		
3	●				●	
4	●					●
5	●		●			
6	●			●		
7	●				●	
8	●		●			
9	●			●		
A	●				●	
B	●		●			
C	●			●		
D	●				●	
E	●		●			
F	●			●		

PIN 1 INDICATOR



C Complement Code

04 POSITION

		Complement Code				
04 POSITION		C	1	2	4	8
0	●					
1	●	●	●	●	●	●
2	●	●	●	●	●	●
3	●	●	●	●	●	●

06 POSITION

		Complement Code				
06 POSITION		C	1	2	4	8
0	●					
1	●	●	●	●	●	●
2	●	●	●	●	●	●
3	●	●	●	●	●	●
4	●	●	●	●	●	●
5	●	●	●	●	●	●

08 POSITION

		Complement Code				
08 POSITION		C	1	2	4	8
0	●					
1	●	●	●	●	●	●
2	●	●	●	●	●	●
3	●	●	●	●	●	●
4	●	●	●	●	●	●
5	●	●	●	●	●	●
6	●	●	●	●	●	●
7	●	●	●	●	●	●

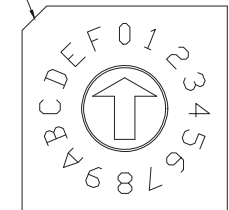
10 POSITION

		Complement Code				
10 POSITION		C	1	2	4	8
0	●					
1	●	●	●	●	●	●
2	●	●	●	●	●	●
3	●	●	●	●	●	●
4	●	●	●	●	●	●
5	●	●	●	●	●	●
6	●	●	●	●	●	●
7	●	●	●	●	●	●
8	●	●	●	●	●	●
9	●	●	●	●	●	●

16 POSITION

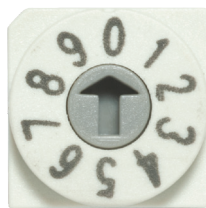
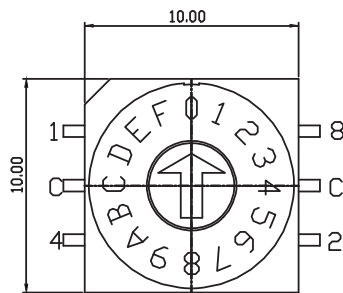
		Complement Code				
16 POSITION		C	1	2	4	8
0	●					
1	●	●	●	●	●	●
2	●	●	●	●	●	●
3	●	●	●	●	●	●
4	●	●	●	●	●	●
5	●	●	●	●	●	●
6	●	●	●	●	●	●
7	●	●	●	●	●	●
8	●	●	●	●	●	●
9	●	●	●	●	●	●
A	●	●	●	●	●	●
B	●	●	●	●	●	●
C	●	●	●	●	●	●
D	●	●	●	●	●	●
E	●	●	●	●	●	●
F	●	●	●	●	●	●

PIN 1 INDICATOR

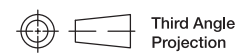
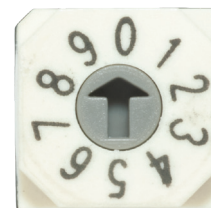
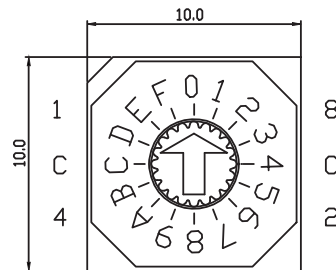


SHAPE OF SURFACE

RD Round Type



OT Octagon Type



Third Angle Projection

NEW

CRE Series 10mm DIP Coded Rotary Switches

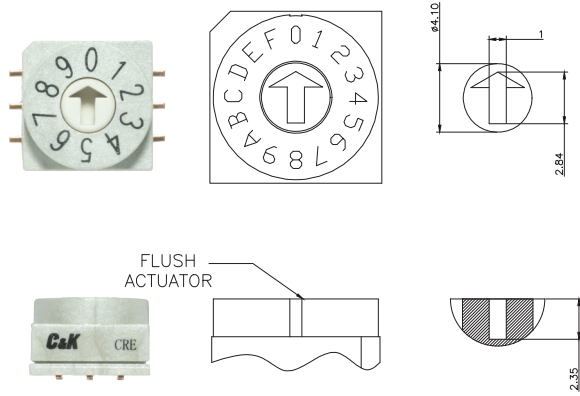


DIP

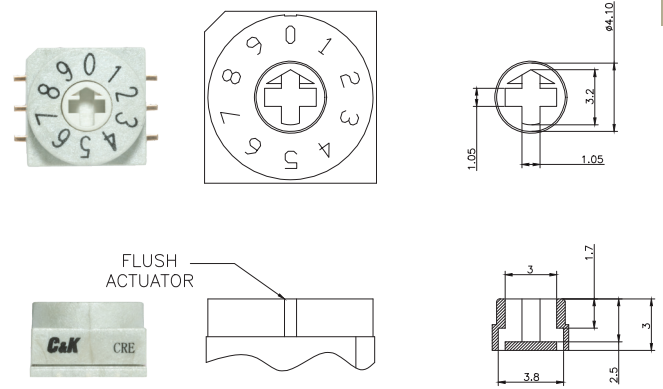
DIP

ACTUATOR

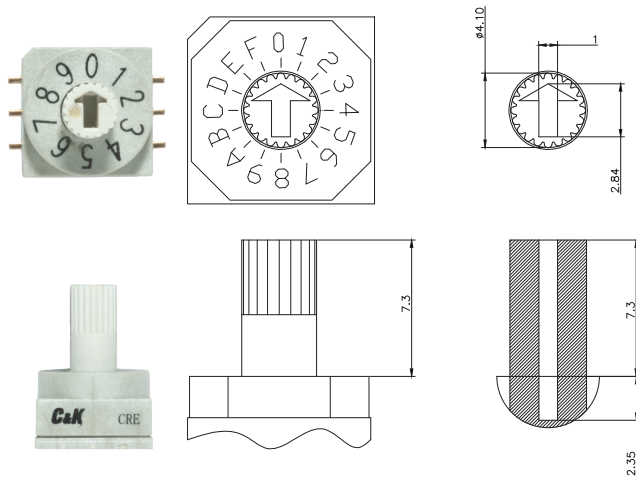
M0 Flush, Screw type “->”



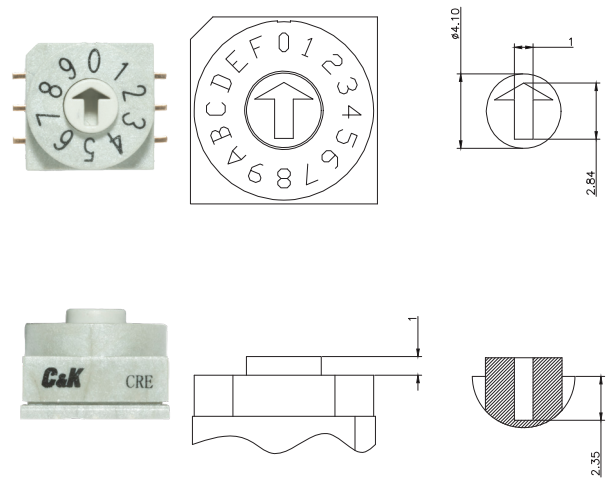
M1 Flush, Screw type “+”



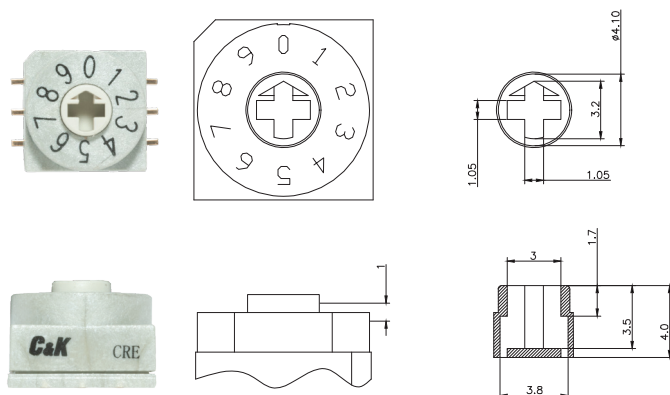
L0 Extended, Screw type “->”



P0 Protrusion, Screw type “->”



P1 Protrusion, Screw type “+”



Third Angle
Projection

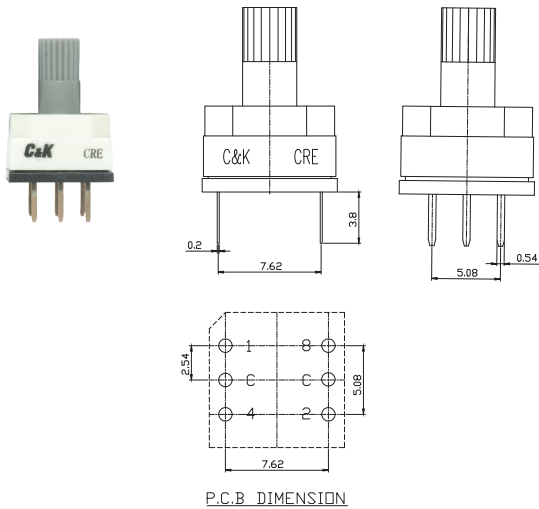
Dimensions are shown: Inch (mm)
Specifications and dimensions subject to change

CRE Series 10mm DIP Coded Rotary Switches

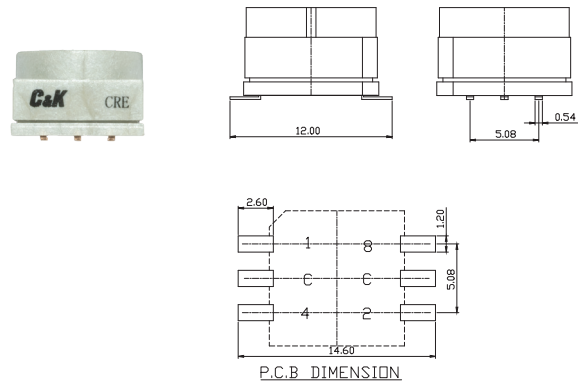
NEW

TERMINATIONS

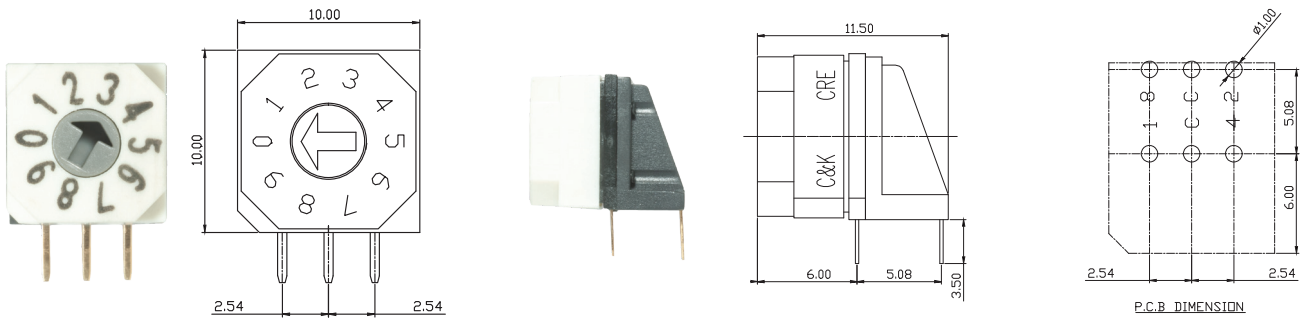
C PC Thru-hole



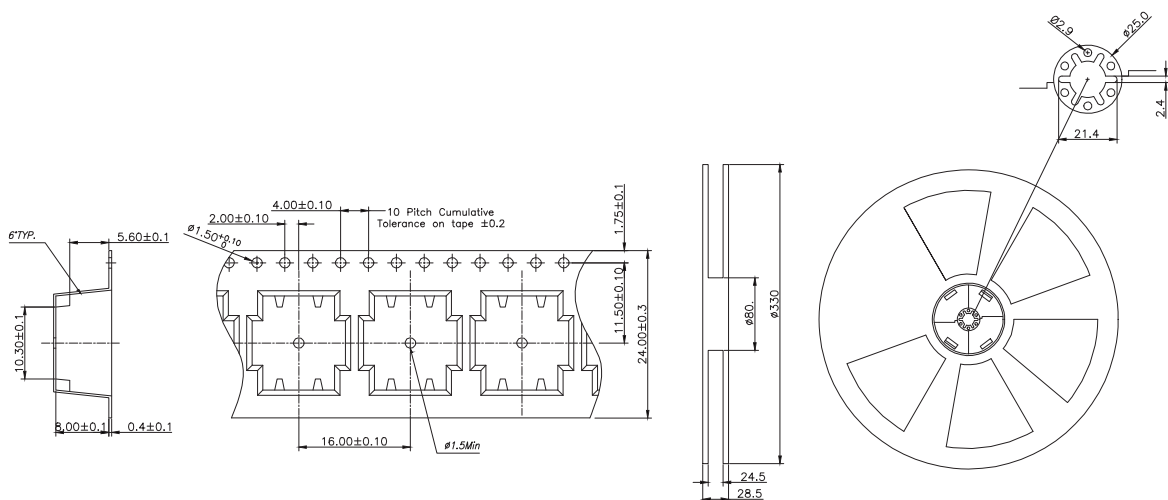
S Gull wing



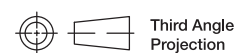
A Right Angle Thru-hole



TAPE & REEL



TAPE & REEL: 600 pcs



Dimensions are shown: Inch (mm)
Specifications and dimensions subject to change



12 Nov 20